



AQUAY MODEL 70

This product has been designed and developed to fit most drains.
AQUAY 70 is the smallest model and is intended for bathroom sinks, bathtubs and bidets.

Available in three different colours: Anthracite Grey, Silver Grey and White, working in any environment, material and design, giving a better and pleasant atmosphere to your entire home.



FEATURES

This practical and effective product is made up of two different parts:

- **FILTER:** 304 stainless steel wire mesh, thick enough to allow the passage of liquid, but also prevent the passage of waste, sunken at its center to perfectly fit the shape of the reducing part. The perimeter is circular in shape, closed by a ring. The diameter of this piece is adequate to place it over the drain of a bathroom sink, bathtub, bidet or similar element and allows the total evacuation of water.
- **VALVE:** It is a piece-reducer, conical shape, made of high-quality silicone, non-deformable, flexible and non-toxic, resistant to high temperatures and corrosion through contact with liquids and chemicals.

The elasticity and design of this joint also allow easy installation, placement and adaptability, as well as access for proper maintenance and cleaning. Featuring the dual function which prevents against bad odors and insects.

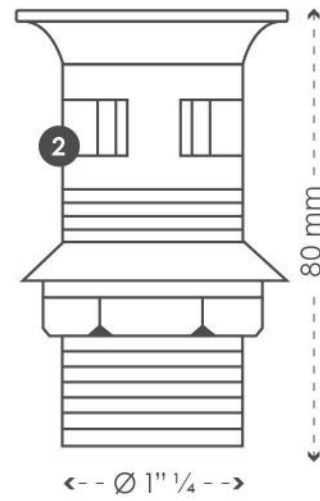
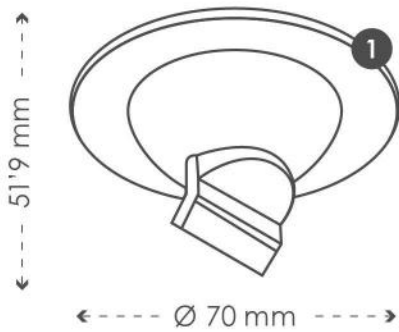
WARNINGS

- *Suitable for ALL BATHROOM SINK and BIDET drains. (Universal adapter included in the pack).
- *Suitable for MOST bathtub drains WITHOUT A SCREW IN THE CENTER OF THE DRAIN COVER.

DIMENSIONS

In addition to the filter and valve, the **Aquay 70** pack includes a universal adapter so that it may be installed in the bathroom sink or bidet if necessary. *(See "Installation in the bathroom sink and bidet")

1. FILTER AND VALVE FOR DRAINS
2. UNIVERSAL ADAPTER (INCLUDED)



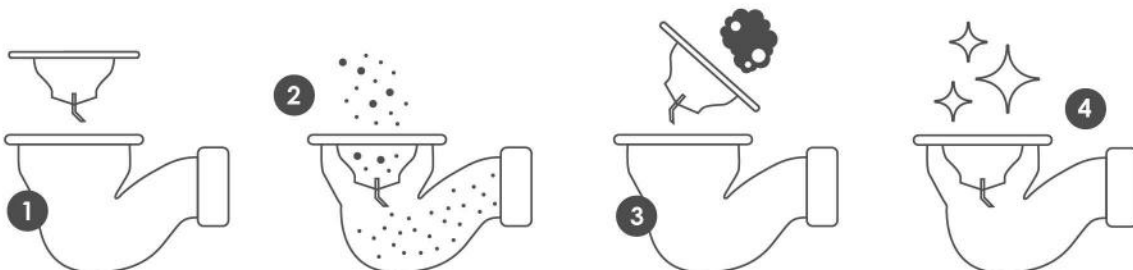
INSTALLATION IN BATHTUB

THE INCLUDED UNIVERSAL ADAPTER IS NOT REQUIRED

1. Place the anti-odor filter and valve assembly over the drain of your bathtub, so that the sharpest angle at the bottom is facing the outlet tube.
 2. From the first moment of its placement, the device will perform its function, filtering the water in its path and thus avoiding odors and clogging in the siphon or drain.
 3. Regularly check the device to avoid accumulation of dirt. To maintain its effectiveness and durability, clean it regularly. Remove the device and remove the dirt retained on the filter.
- **Do not handle the filter improperly, if any filament detaches, please replace the filter as soon as possible.**

• **Suitable for bathtub drains WITHOUT a screw in the center of the drain cover.**

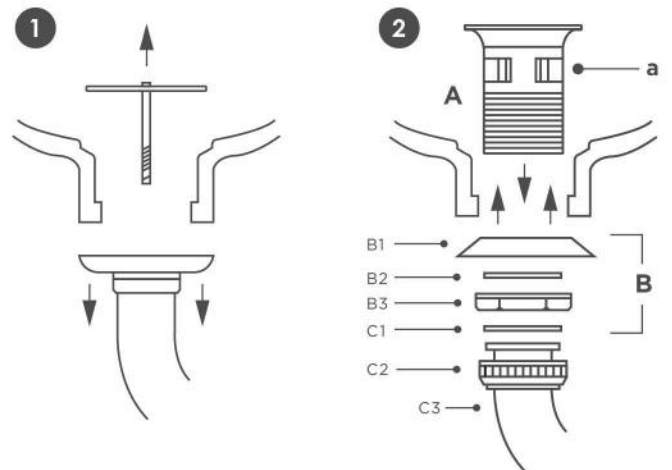
4. Once cleaned, replace the device in the same way as explained in **point 1**.



INSTALLATION IN BATHROOM SINK AND BIDET

THE INCLUDED UNIVERSAL ADAPTER IS REQUIRED

1. Unscrew the drain cover from your bathroom sink or bidet, or remove the installed pop-up drain to the siphon.
 2. Place the included universal adapter with the filter and anti-odor valve, to do this, disassemble all its parts. Vertically insert part **(A)** through the top of the bathroom sink or bidet so that the drainage windows are on both sides **(a)**. Place the rest of the delivered pieces as indicated in the figure **(B)** *(Parts **(C)** are not included).
 3. Make sure the parts are securely fixed and ensure that there are no leaks **(c)**. Place the anti-odor filter and valve assembly on the included universal adapter to filter the water and to eliminate odors and avoid clogging.
 4. Regularly check the anti-odor filter and valve assembly to avoid dirt accumulation and to maintain its effectiveness and durability. Remove the device and remove the dirt retained on the filter.
- **Do not handle the filter improperly, if any filament detaches, please replace the filter as soon as possible.**
5. Once cleaned, replace the filter and anti-odor valve on the included universal adapter.



B1. Rubber gasket / B2. Washer / B3. Nut / C1. Siphon seal
C2. Siphon nut / C3 Siphon (C1, 2, 3 Not included)

