



AQUAY MODEL 110

This product has been designed and developed to fit most drains.

AQUAY 110 is the largest model for shower trays.

Available in three different colours: Anthracite Grey, Silver Grey and White, working in any environment, material and design, giving a better and pleasant atmosphere to your entire home.



FEATURES

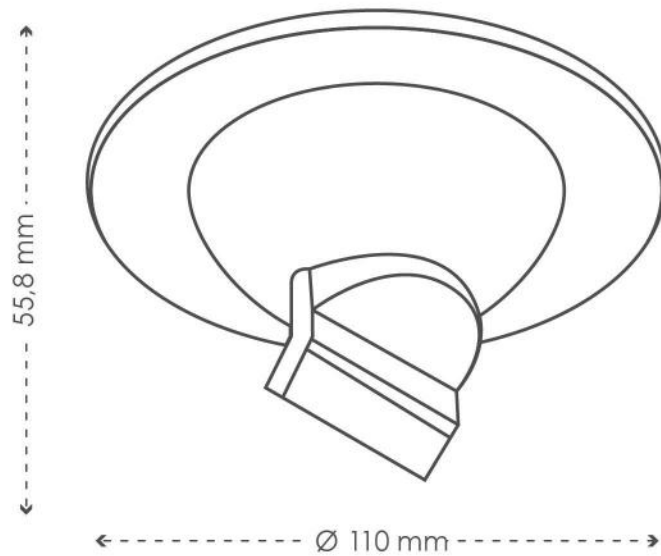
This practical and effective product is made up of two different parts:

- **FILTER:** 304 stainless steel wire mesh, thick enough to allow the passage of liquid, but also prevent the passage of waste, sunken at its center to perfectly fit the shape of the reducing part. The perimeter is circular in shape, closed by a ring. The diameter of this piece is adequate to place it over the shower drain or similar element and allows the total evacuation of water.
- **VALVE:** It is a piece-reducer, conical shape, made of high-quality silicone, non-deformable, flexible and non-toxic, resistant to high temperatures and corrosion through contact with liquids and chemicals.

The elasticity and design of this joint also allow easy installation, placement and adaptability, as well as access for proper maintenance and cleaning. Featuring the dual function which prevents against bad odors and insects.

WARNINGS

*Suitable for MOST shower drains WITHOUT A SCREW IN THE CENTER OF THE DRAIN COVER.



INSTALLATION IN SHOWER

1. Remove the centerpiece (if any) from your installed shower drain.
2. Position the device so that the sharpest angle at the bottom is facing the outlet tube.
3. Remove the device regularly for maintenance and cleaning.
4. Completely forget about clogging, insects and bad odors.

